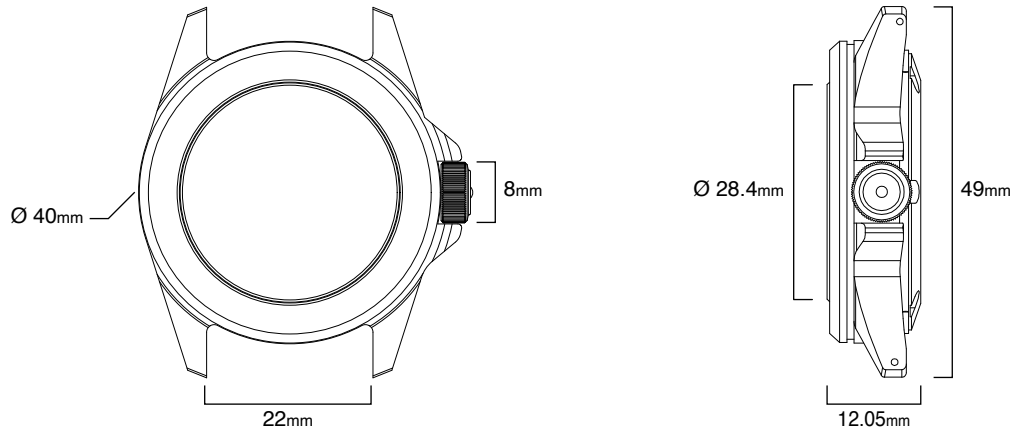


**MODELLO
QUATTRO**
Ref. UT4-T-M

*Limited edition of 100 pieces
Quartz movement
Made in Italy
2 years warranty*

UNIMATIC®



REFERENCE	Modello Quattro UT4-T-M
TYPE	UNIMATIC x MAAP
ORIGIN	Made in Italy
TESTING	Singularly tested for accuracy and water resistance
EDITION	Individually numbered, edition of 100
WATER RESISTANCE	300m = 1000ft = 30atm
SIZE	Diameter 40mm
CASE THICKNESS	12.05mm
LUGS / STRAP SIZE	Drilled lugs / 22mm
CASE MATERIAL	Grade II Titanium
CASE FINISHING	Sandblasted
BEZEL	Fixed monoblock bezel
CASEBACK	UNIMATIC x MAAP crew-down caseback
CROWN	Alchemical Sun ☉ 8mm screw-down
LENS DESCRIPTION	2.8mm thick flat sapphire
LENS TREATMENT	Inner side anti-reflective coating
DIAL BASE	Shadow gray diver dial with MAAP logo
LUMINOUS	Super-LumiNova BGW09 white
DIAL TRIMS	Matte cool gray open second rail and white dial trims
HANDS	Shadow gray phantom H+M, reverse lollipop S, blue tip
CALIBER	Quartz Seiko VH31
CALIBER FEATURES	Sweeping second hand
CALIBER JEWELS	2
MOVEMENT HOLDER	360 protection MIL-STD-810H certified
BATTERY TYPE	Seizaiken SR920SW
BATTERY SIZE	Diameter 9.5 mm
ACCURACY	±15 s/month
STRAP	Shadow gray custom MAAP quick release TPU two-piece strap
EXTRA STRAP	Olive drab seatbelt NATO strap
HARDWARE	Titanium sandblasted hardware signed UNIMATIC
PRODUCT KIT	Unimatic tough case, warranty card with unique ID seal