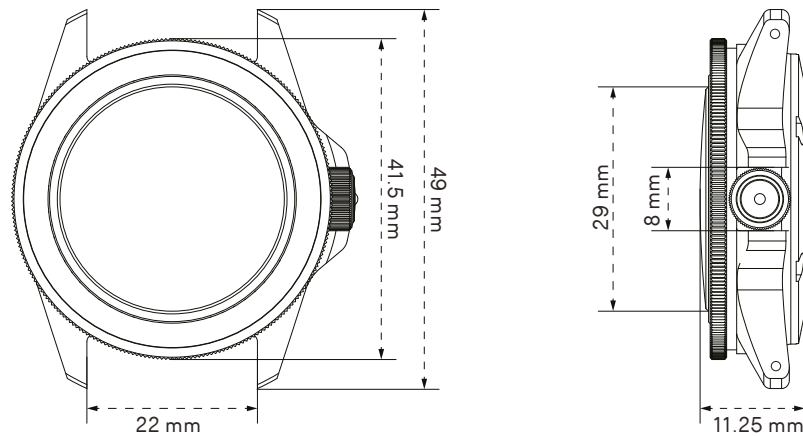


**MODELLO UNO**  
Ref. U1S-GMT-M

*Limited edition of 100 pieces*  
*Made in Italy*  
*2 years warranty*

**UNIMATIC®**



PRODUCT NAME	Modello Uno U1S-GMT-M
TYPE	Unimatic x Maxfield
WATER RESISTANCE	300m = 1000ft = 30atm WR
ORIGIN	Made in Italy
TESTING	Singularly tested for accuracy and water resistance
EDITION	Individually numbered, edition of 100
CASE SIZE	40mm case with 41.5mm bezel
LUGS / STRAP SIZE	Drilled lugs / 22mm
CASE MATERIAL	316 stainless steel
CASE FINISHING	Black DLC brushed finish
BEZEL	120 clicks mono-directional safety bezel
BEZEL INSERT	Matte black engraved aluminium 24-hour bezel insert
CASEBACK	Unimatic x Maxfield caseback
CROWN	Alchemical Sun ☉ 8mm screw-down
LENS DESCRIPTION	2.5mm thick double domed sapphire
LENS TREATMENT	Inner side anti-reflective coating
DIAL BASE COLOR	Matte black dial
LUMINOUS COLOR	Super-LumiNova® GL black NL
DIAL TRIMS	Off-black open second rail and dial trims
DATE	6h window
H,M,S HANDS	Matte black ladder phantom H+M, reverse lollipop S with off-black tip
2H HAND	Matte black 2H, with hollow arrow tip in Super-LumiNova® dark orange
CALIBER TYPE FREQUENCY	Automatic calibre Sellita SW330-2
CALIBER FREQUENCY	28800bph
CALIBER FEATURE	GMT function, hacking seconds hand
CALIBER WINDING	Self-winding/manual winding
CALIBER JEWELS	25
ACCURACY	+/- 5 sec/day up to +/-15 sec/day
POWER RESERVE	56h
STRAP BASE	Black matte elaphe carinata back cut two-piece strap
EXTRA STRAP	Black nylon NATO strap
STRAP HARDWARE	Black DLC brushed finish buckle signed Unimatic
PRODUCT KIT	Unimatic x Maxfield tough case, warranty card with unique ID seal